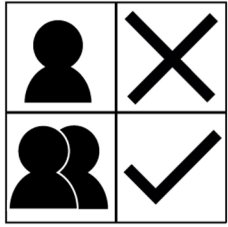


SAFETY INSTRUCTIONS

1. Place the projector screen in a secure and shock free position and use the appropriate fixings. When in doubt, seek assistance. We recommend to install this projector screen with at least 2 persons.
2. Do not open the screen casing when it is plugged into an electric power supply due to warmed up parts and the risk of electric shock.

3. For a long lifespan of the electrical circuit of your screen, disconnect it from the power source when not in use.
4. Do not pull or tap on screen when unrolled.
5. Do not manually attempt to pull or roll the screen.
6. When switched off, wait approximately 5 minutes before switching it on again to ensure a long lifespan of the electrical circuit.



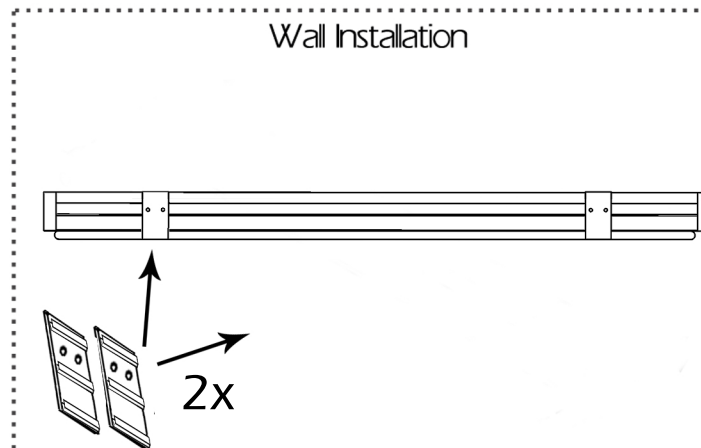
INSTALLATION

When moving your screen around before installation, use great caution. Its large size makes it difficult to handle. Make sure it does not get damaged when using elevators, stairs or going through doors. Always lift with at least 2 persons.

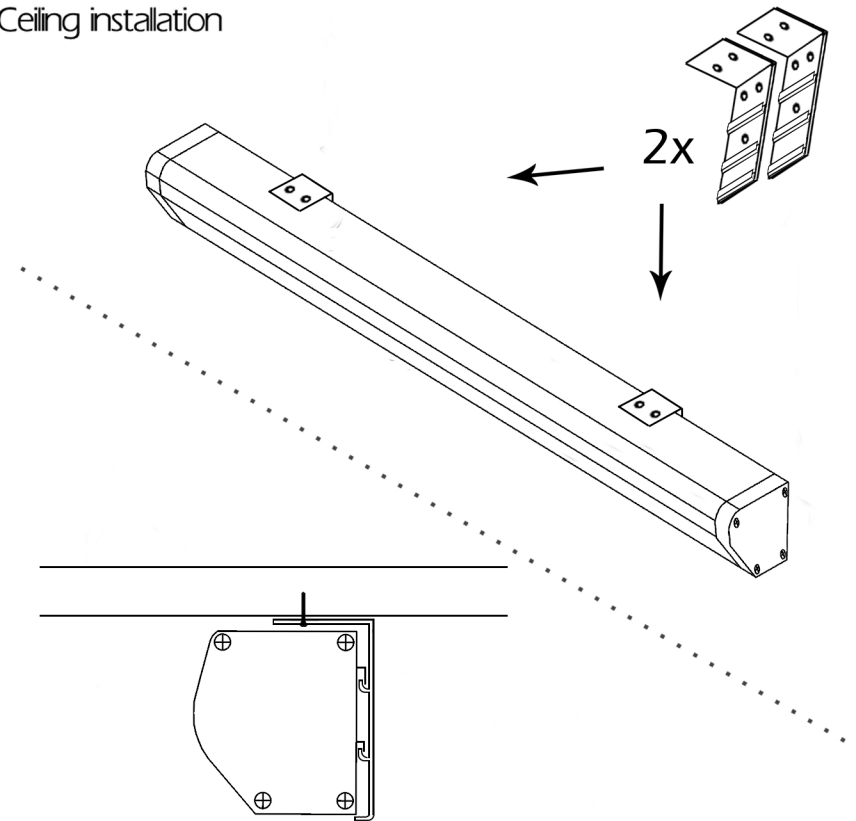
1. Select your preferred spot of installation. Make sure the surface is flat and clean. This can be either on a wall or on a ceiling.
2. Make sure the surface you are installing your screen on, is suited for the weight and workload. When in doubt, seek assistance.
3. Follow the instructions as pictured. For both ceiling and wall installation, fittings are provided.

USING YOUR PROJECTION SCREEN

Your screen is not intended for manual use. Please do not push, pull or obstruct the screen when it is standby or in use. Always operate the screen by making use of the remote control.



Ceiling installation



TROUBLESHOOTING WITH YOUR REMOTE CONTROL

In some instances, it might occur that your remote control does not work properly with your screen. In these cases, your remote control needs to be paired again with your projector screen.

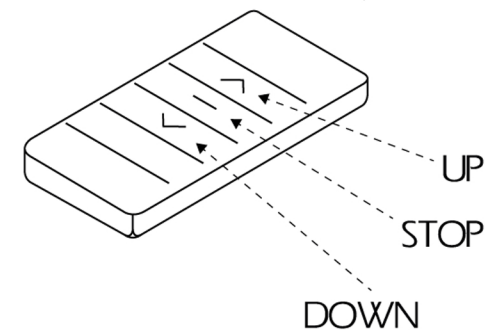
1. Disconnect your projector screen from power and then connect it again. This resets the device.

Start the procedure as described below within 4 seconds of connecting the projector screen to a power outlet.

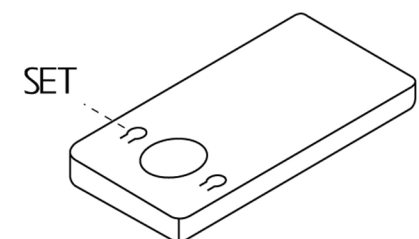
2. Take your remote control.
3. Open the back side of it and locate the 'set' button.
4. Press the 'set' button 2 times;
5. Press the front side 'down' button 1 time.
6. Your screen and remote have now been paired again.

If you're having trouble executing the above routine, please mind that in between individual button presses, no more than 4 seconds are allowed.

FRONT



BACK (OPENED)



ADJUSTING THE HEIGHT OF YOUR SCREEN

In some instances, it might be that your projector screen does not drop to the desired height, or that it does not roll upwards entirely. This can easily be adjusted using the path controller on your screen.

Knob A controls the downward motion of your screen.
Knob B controls the upward motion of your screen.
Both knobs can be turned clockwise or counter-clockwise to adjust the projector screen movement. Use the knobs as follows:

1. My screen drops too low
In this instance, there is too much black visible on top when the screen is rolled out downwards. Turn knob A clockwise (-).
2. My screen does not drop low enough
The projection area of the screen is not visible enough in this instance. Turn knob A counter-clockwise (+).
3. The screen keeps on rolling within its casing when rolled upwards to a full extent. Turn knob B clockwise to lesser the upward motion of your screen. (-)
4. The screen does not roll up entirely into the casing. Turn knob B counter-clockwise to make it roll up longer. (+)

